

Excel Life and Arteor™
Dual Socket USB Charger

EMUSBN2AC & EMUSBN2C Series, ARUSBN2ACM & ARUSBN2CM Series

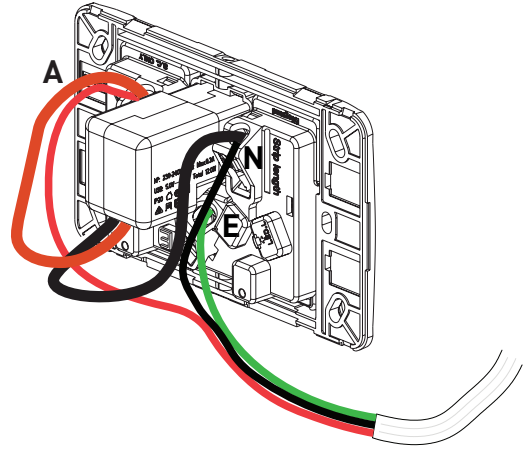
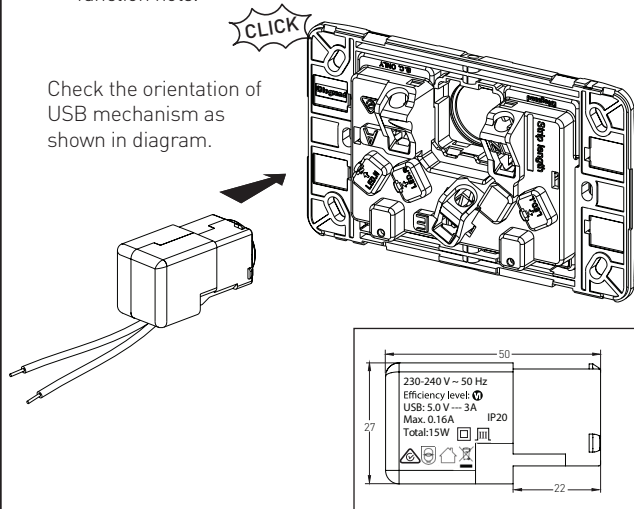


Range	Excel Life™		Arteor™	
Cat. No.	EMUSBN2ACWE EMUSBN2ACUG EMUSBN2ACBL	EMUSBN2CWE EMUSBN2CUG EMUSBN2CBL	ARUSBN2ACMWE ARUSBN2ACMMGN	ARUSBN2CMWE ARUSBN2CMMGN
Picture				
Product Compatibility (Series)	ED777X, ED770/1, ED770/2, ED770/3 EC777X, EC770/1, EC770/2, EC770/3		AR777X, AR770/1, AR770/2, AR770/3	
	Not compatible with 4-6 gang arrangements			
Wall Recess Depth	50 mm min.			
Output	5 V d.c. 3 A			
Input	230 - 240 V a.c. 50 Hz			
Mains Connections	Via 'A' and 'N' wires			
Standby Power Consumption	75 mW			
Overload Protection on Output	3.1 A			

Installation in powerpoint

1. Push USB mechanism into extra function hole.

2. Connect wires with corresponding mains cables in the 'A' and 'N' terminals of double GPO.

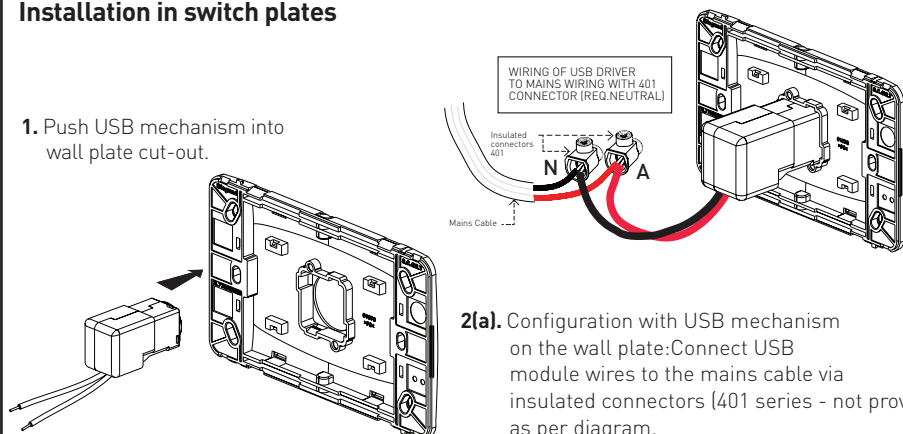


Note: All dimensions are in mm.

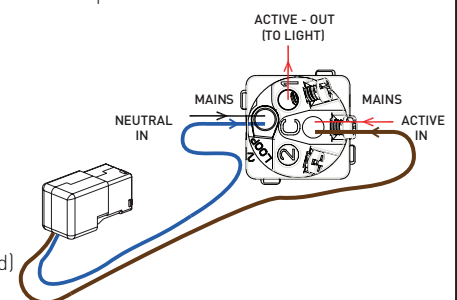
Installation in switch plates

1. Push USB mechanism into wall plate cut-out.

2(b). Configuration with USB and switch mechanism on the wall plate: Connect USB wires to switch mechanism as per below.



2(a). Configuration with USB mechanism on the wall plate: Connect USB module wires to the mains cable via insulated connectors (401 series - not provided) as per diagram.



Product Notes

- For indoor use only.
- This product must be installed by a licensed electrician.
- This product must be installed and used as per these instructions.
- Not suitable for installation in single-brick applications.
- This product should not be installed in areas exposed to constant vibration, temperature fluctuations, or areas of high humidity.
- Installing more than three adjacent USB mechanisms per switch plate may result in an over-temperature condition and potential risk of fire.
- Do not allow thermal insulation to abut or cover the USB mechanism once installed. Keep wall insulation to a distance of 50 mm.
- This product contains no serviceable parts and no attempt should be made to repair this product. If the product is faulty it should be discarded.
- This product has been designed to operate in ambient temperatures 5°C to 25°C.
- This product is not suitable for installation in hazardous and/or corrosive areas.
- The material in this product may vary in colour from batch to batch. Colour matching from one batch to another cannot be guaranteed.
- Extended exposure to UV rays (such as exposure to direct sunlight) may cause discolouration of this product.
- Electrical installations periodically receive transient over voltages. This product has been designed to minimise the effect of such voltages on connected equipment. It may not give full protection for extreme over voltage transients such as those resulting from a close lightning strike.
- This product has been designed to operate on a nominal supply voltage of 230 - 240 V a.c. 50 Hz.
- This product utilises intellectual property in the form of registered designs, trademarks, and/or patents. Such intellectual property remains the property of Legrand in all cases.
- Legrand reserves the right to modify the specification of this product at any time.

Warranty

These goods come with guarantees that cannot be excluded under the Australian and New Zealand Consumer Laws. You are entitled to a replacement or a refund for a major failure and compensation for any other reasonably foreseeable loss or damage. You are also entitled to have the goods repaired or replaced if the goods fail to be of acceptable quality and the failure does not amount to a major failure.

Customer Service

For all Customer Service and Technical Support enquiries please call Monday to Friday during business hours.

Legrand Australia
1300 369 777
www.legrand.com.au

Legrand New Zealand
0800 476 009
www.legrand.co.nz

ABN: 31 000 102 661

